

Manual for installation and operation

# 1. Meaning of symbols

---

## Advice



### Caution!

Danger of personal injury!  
The following safety advice must be observed at all times so as to avoid personal injury!



### Attention!

Danger of material damage!  
The following safety advice must be observed at all times so as to avoid material damage!



### Advice / Tip



### Check



### Reference

# 2. Table of contents

---

1.	<b>Meaning of symbols</b> . . . . .	2
2.	<b>Table of contents</b> . . . . .	2
3.	<b>General safety advice</b> . . . . .	3
4.	<b>Product overview</b> . . . . .	5
5.	<b>Installation</b> . . . . .	5
	5.1 Install expansion module . . . . .	5
	5.2 Wiring of the expansion module . . . . .	6
6.	<b>Initial operation</b> . . . . .	8
7.	<b>Programming</b> . . . . .	9

### 3. General safety advice

---



**Please read carefully!**

#### **Target group**

This operator system may only be installed, connected and put into operation by qualified and trained professionals!

Qualified and trained specialist personnel are persons

- who have knowledge of the general and special safety regulations,
- who have knowledge of the relevant electro-technical regulations,
- with training in the use and maintenance of suitable safety equipment,
- who are sufficiently trained and supervised by qualified electricians,
- who are able to recognise the particular hazards involved when working with electricity,
- with knowledge regarding applications of the EN 12635 standard (installation and usage requirements).

#### **Warranty**

For an operations and safety warranty, the advice in this instruction manual has to be observed.

Disregarding these warnings may lead to personal injury or material damage. If this advice is disregarded, the manufacturer will not be liable for damages that might occur.

To avoid installation errors and damage to the device, it is imperative that the installation instructions are followed. The product may only be operated after reading these installation and operating instructions.

The installation and operating instructions are to be given to the door system user, who must keep them safe. They contain important advice for operation, checks and maintenance.

This item is produced according to the directives and standards mentioned in the Manufacturer's Declaration and in the Declaration of Conformity. The product has left the factory in perfect condition with regard to safety.

Power-operated windows, doors and gates must be checked by an expert (and this must be documented) before they are put into operation and thereafter as required, but at least once a year.

#### **Correct use**

The expansion module expands the Control vario control unit.

**Beside the advice in these instructions, please observe the general safety and accident prevention regulations! Our sales and supply terms and conditions are effective.**

### 3. General safety advice

---



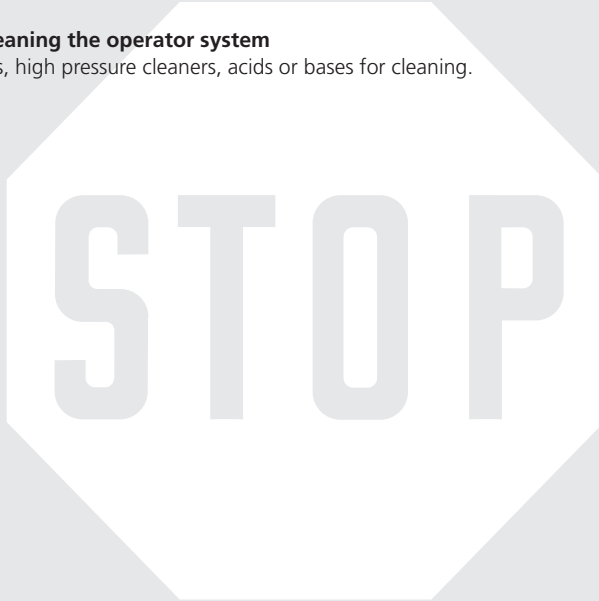
**Please read carefully!**

#### **Installation tips**

- Ensure that the devices to be connected (doors etc.) are in a mechanically faultless state.
- Before commencing cabling works it is very important to disconnect the system from the electricity supply. Ensure that the electricity supply remains disconnected throughout the cabling works.
- Adhere to the local protection regulations.
- Lay the electricity supply cables and control cables; these **MUST** be laid separately.  
The operating voltage is 24 V.

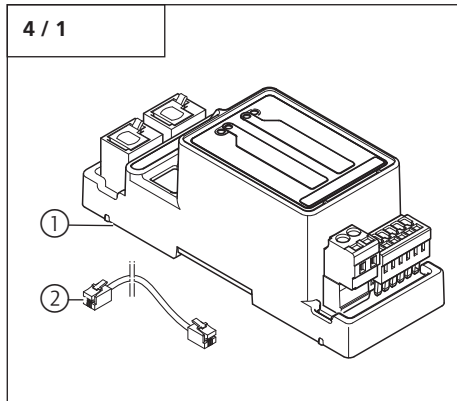
#### **Information on cleaning the operator system**

Never use water jets, high pressure cleaners, acids or bases for cleaning.



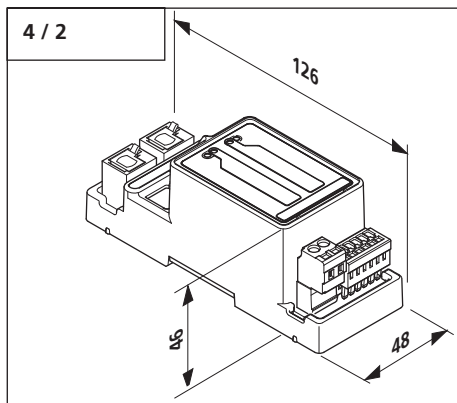
## 4. Product overview

### Supply package



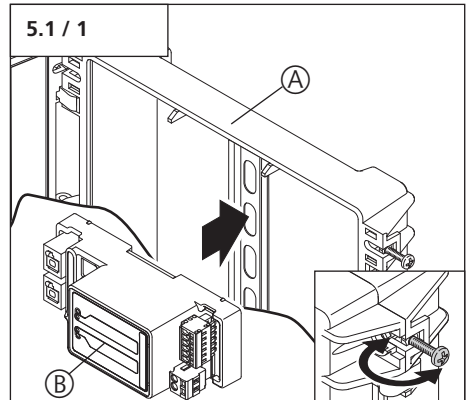
- 1 Expansion module
- 2 System cable

### Dimensions



## 5. Installation

### 5.1 Install expansion module

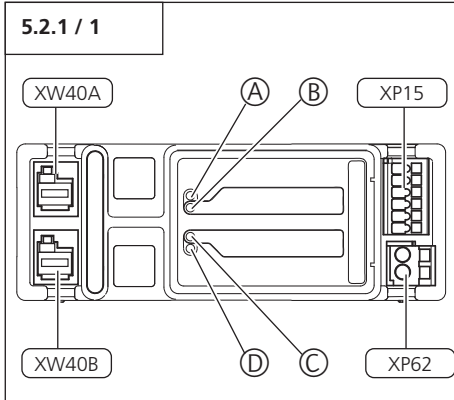


- Fit the expansion module (B) in the type 4 / type 5 (A) expansion housing type.

## 5. Installation

### 5.2 Wiring of the expansion module

#### 5.2.1 Overview of the module connections



Label	Type / function
A	Operating indicator <b>Light on</b> . . . . . In operation <b>Light flashes</b> . . . . . Cable break <b>Light flashes rapidly</b> . . .Diagnostic mode
B	Display CESD
C	Display hold circuit
D	Display photocell
XP15	Connection of Optosensor 300
XP62	Connection of two-wire photocell
XW40A	Connection of further module
XW40B	Connection of further module

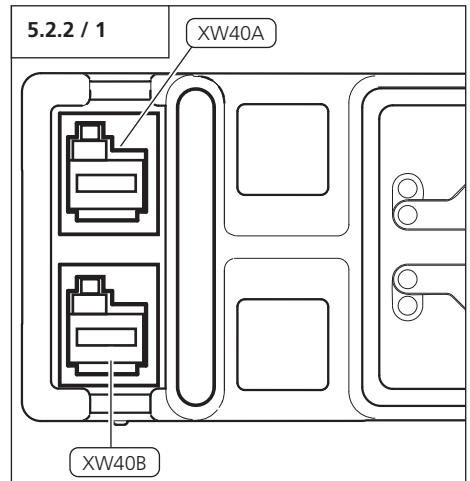
#### 5.2.2 Connection of the modules

##### Connection of the control unit and a further module



#### Attention!

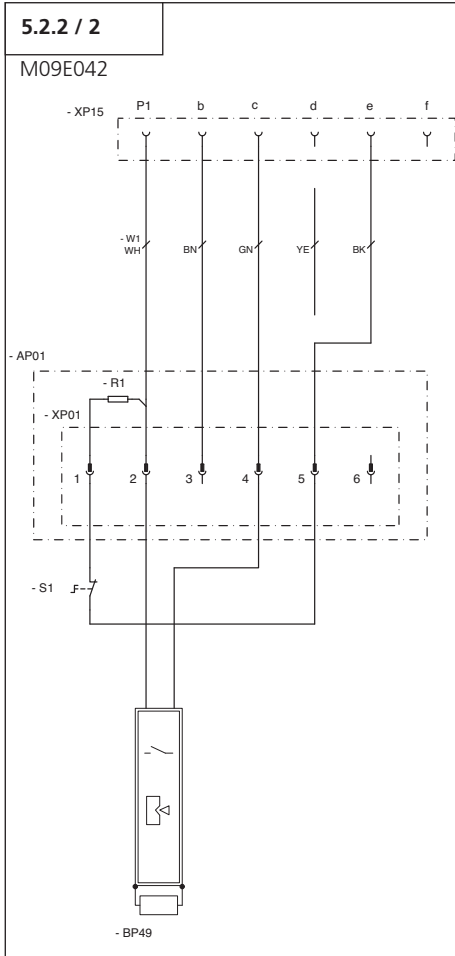
To ensure correct operation, only use the Marantec bus system (MS bus).



- Connect the Control vario control unit to the connecting socket XW40A.
- Connect further modules to socket XW40B as required.

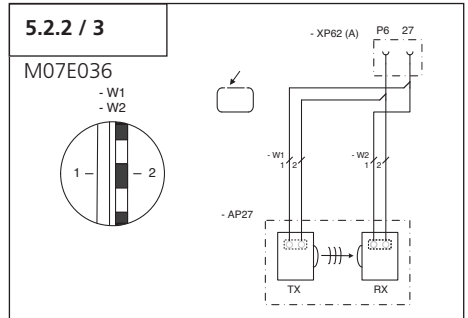
## 5. Installation

### Connection of Optosensor (XP15)



Label	Type / function
AP01	Connection unit on one side
R1	Resistor 8K2
XP01	Terminal strip, 6-pole
BP49	Contact strip CLOSED 8.2 kOhm
S1	Slack rope switch / hold circuit
XP15	Strip, 6-pole, control - safety circuit

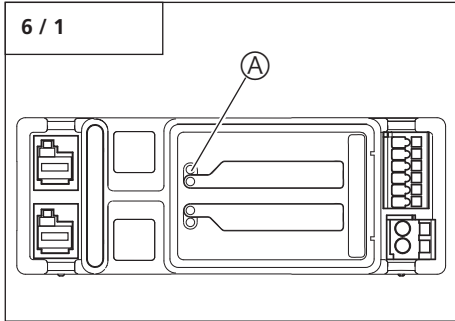
### Connection of photocell (XP62)



Label	Type / function
AP27	Photocell transmitter TX, receiver RX
XP62 (A)	Terminal block two-wire photocell CLOSED

## 6. Initial operation

---



### Advice:

The closing edge safety device or photocell must be connected up before initial use.

Usable closing edge safety devices:

- 8.2 kOhm
- Opto300

Usable photocells:

- Two-wire photocell or
- Other brand of photocell with potential-free relay contact or
- No photocell.

After connecting the control unit, the LED display (A) flashes slowly.

- The module will be recognised automatically by the control during initial use.
- You can also carry out a reset of the MS bus modules (Level 1 / Menu 8 / G8).

The control unit requires approx. 30 seconds to recognise any modules connected to it.

The module reset ends automatically.

LED display A is on.



## 7. Programming

### Extended levels of the Control vario control unit

Level 1 – Basic functions																
	1	2	3	4	5	6	7	8	9	10	11	12	13	14	15	16
Menu 8: RESET																
	A8	B8	C8	D8	E8	F8	G8	-	-	-	-	-	-	-	-	-

### Menu 8: RESET



#### Attention!

After a reset, all the parameters revert to the factory settings.



















In order to ensure that the controls operate properly:

- all the required functions must be re-programmed,
- the remote control unit must be re-programmed,
- the drive system must be driven once to the OPEN and CLOSED door positions.

Setting	Function	Explanation / Advice	
A8	No reset	unchanged	-
B8	Reset control unit *	Factory default setting	-
C8	Reset remote control	Messages are deleted	-
D8	Reset extension, automatic closing timer	-	-
E8	Reset extended operator functions only *	except door OPEN/CLOSED positions and remote control impulse	-
F8	Reset safety devices *	Photocell	-
G8	Reset bus modules	Bus modules attached undergoing programming	-

\* All connected and operational safety devices are recognised automatically after resetting.

## 7. Programming

Level 8 – System settings																
	1	2	3	4	5	6	7	8	9	10	11	12	13	14	15	16
																
Menu 2: Closing edge safety device																
	A2	B2	C2	D2	E2	F2	G2	H2	-	-	-	-	-	-	-	-

### Menu 2: Closing safety edge device

	Door movement, OPEN	Door movement, CLOSE
<b>A2</b>	Door reverses a little <sup>1</sup>	Door reverses a little <sup>1</sup>
<b>B2</b>	Door reverses a little <sup>1</sup>	Door reverses completely <sup>2</sup>
<b>C2</b>	Door reverses completely <sup>2</sup>	Door reverses a little <sup>1</sup>
<b>D2</b>	Door reverses completely <sup>2</sup>	Door reverses completely <sup>2</sup>
<b>E2</b>	Door reverses slightly <sup>1</sup> with airswitch testing	Door reverses slightly <sup>1</sup> with airswitch testing
<b>F2</b>	Door reverses slightly <sup>1</sup> with airswitch testing	Door reverses fully <sup>2</sup> with airswitch testing
<b>G2</b>	Door reverses fully <sup>2</sup> with airswitch testing	Door reverses slightly <sup>1</sup> with airswitch testing
<b>H2</b>	Door reverses fully <sup>2</sup> with airswitch testing	Door reverses fully <sup>2</sup> with airswitch testing

<sup>1</sup> Door reverses a little: The drive system moves the door a short distance in the opposite direction in order to free an obstacle.

<sup>2</sup> Door reverses completely: The drive system moves the door to the opposite end position.



## English

Original instructions, Copyright.

No part of this manual may be reproduced without our prior consent.

Subject to changes which are in the interest of technical improvements.



96614

Valid from: 08.2011  
#96614

1 - GB/KD 360310 - M - 0.5 - 1009